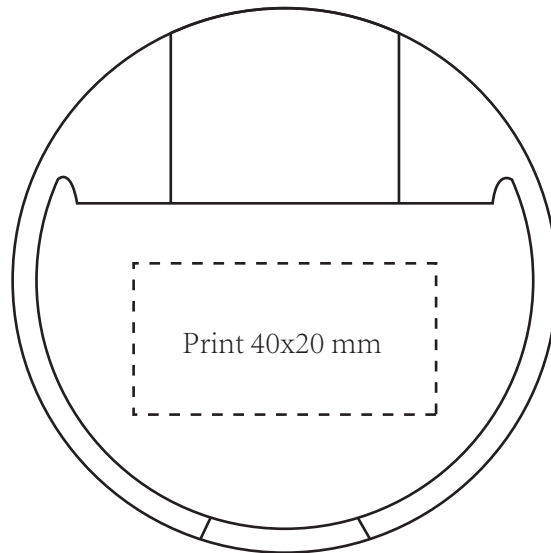


# ART APPROVAL

Art approval offers two free corrections. Subsequent changes incur a \$15 plus GST fee per change.

Proof no. \_\_\_\_\_



Job Name: \_\_\_\_\_

Approved by \_\_\_\_\_

Product: \_\_\_\_\_

Signature \_\_\_\_\_

Quantity: \_\_\_\_\_

Prod Colour: \_\_\_\_\_

Date \_\_\_\_\_

Print Colour: \_\_\_\_\_

*I have checked this approval / proof and all details are correct.  
This job is approved to proceed to production immediately.  
I acknowledge and accept your general terms and conditions.*